



Addressable Multi Candela Horn/Strobe, Strobe & Horn FW963AGR/FW963AGW, FW973AGR/ FW973AGW, FW983AGR/FW983AGW

DESCRIPTION

The FW963AGR/FW963AGW Horn Strobes and FW983AGR/FW983AGW Strobes are a family of addressable multi-candela visual and audible signal appliances with light sources generated from a white LED, listed according to UL 1971, UL 1638, UL 464, ULC-S525, and ULC-S526 for indoor use. The LED light source offers superior performance, including low power consumption and long operating life. Each appliance has the intelligence to report its location (the device address) and status to the FW series fire alarm control panels. Six levels of light output are selectable. Figure 1 shows relative light outputs in horizontal and vertical dispersion from strobes mounted on walls/ceilings.

The strobe appliances produce a flash rate of one flash per second over the Regulated Voltage Range. The temporal tone generated by the horn portion is designed as per ANSI and NFPA72 for standard emergency evacuation signaling requirements. The appliance has the feature that can synchronize multiple horns and/or strobes in a complete fire alarm system.

The FW973AGR/FW973AGW Horns are addressable audible signal appliances listed according to UL 464 and ULC-S525 for indoor use. The temporal tone generated by the horn portion is designed as per ANSI and NFPA72 for standard emergency evacuation signaling requirements. The horn has a feature that can synchronize multiple horns in a complete fire alarm system.

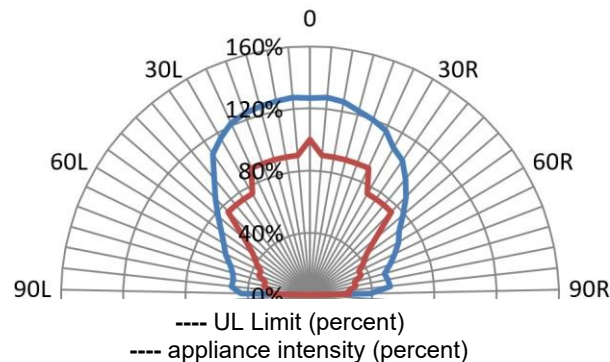
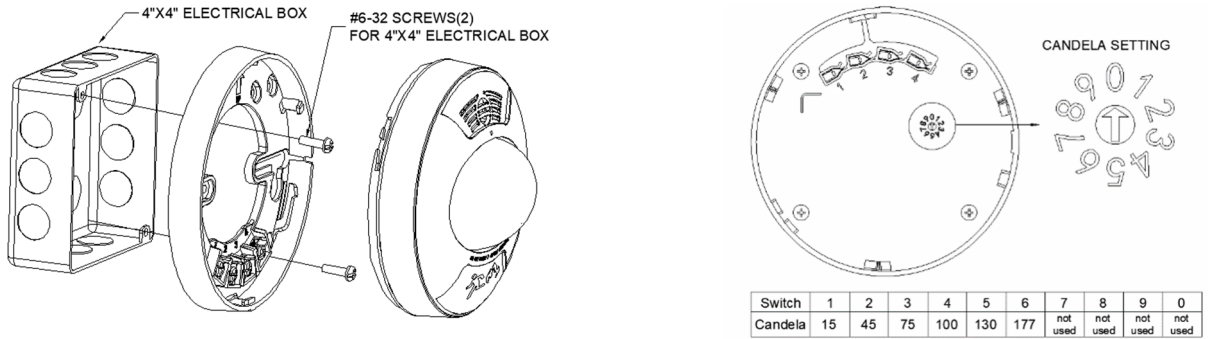


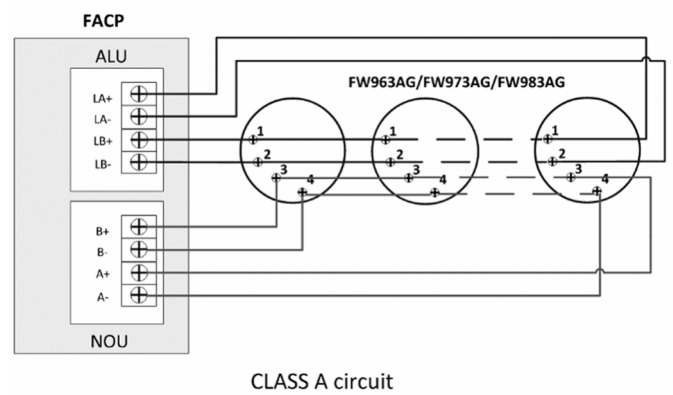
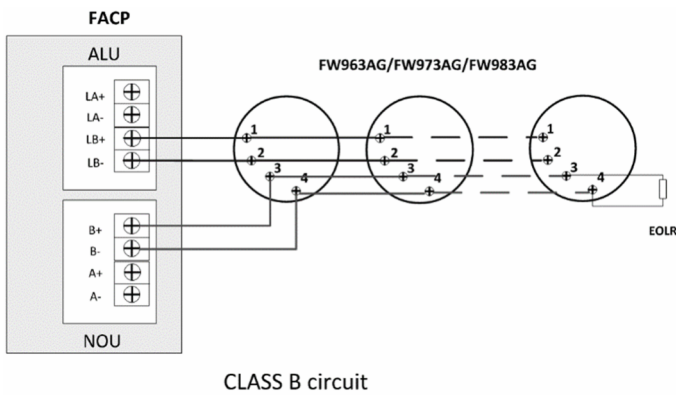
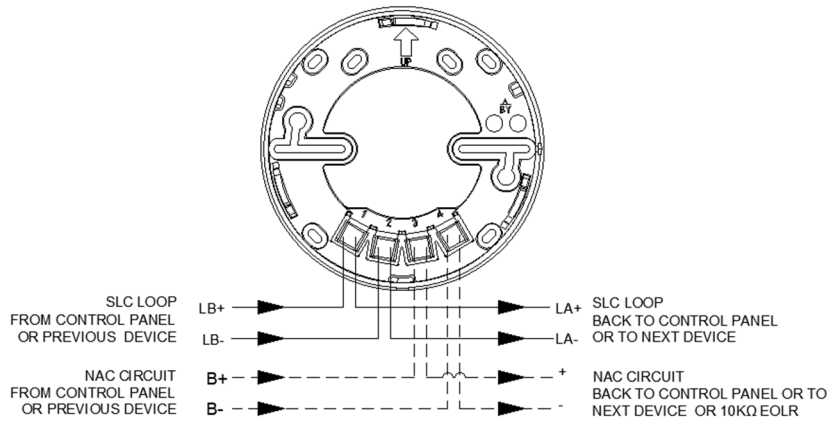
Figure 1 Horizontal and Vertical Light Outputs

INSTALLATION AND WIRING

Mount the FW900/FW901 base onto 2"X4" electrical box, 4"X4" electrical box or octagon electrical box. Set the light intensity using the rotary switch at the back of the device.



Notification appliances base FW900/FW901 can be used with 12 AWG to 18 AWG.



ATTENTION

The product must be used within its published specifications and properly installed, operated, and maintained, following these instructions. Users are solely responsible for determining whether a product is suitable for the user's purposes or achieves the intended results. Read the instructions carefully before using this product. Failure to comply with any of the instructions cautions, and warnings could result in improper application, installation, and/or operation of these products in an emergency.

SPECIFICATIONS

Operating Voltage	16 to 33 VDC (regulated 24VDC)						
NOU RMS Operating Current		177 cd	130 cd	100 cd	75 cd	45 cd	15 cd
	FW963AGR FW963AGW	218	164	129	98	70	55
	FW983AGR FW983AGW	210	145	114	84	55	40
	FW973AGR FW973AGW	48					
ALU RMS Operating Current	112 uA						
Sound Level (dBA)	Voltage	16 Vdc		24 Vdc		33 Vdc	
	UL Reverberant	85		89		93	
	ULC Anechoic	89		92		95	
Directional Characteristics	Horizontal Axis	Angle		OSPL (dBA)			
		0° (ref)		0 (ref)			
		± 49°		-3			
		± 53°		-6			
		± 90°		-6.9			
	Vertical Axis	Angle		OSPL (dBA)			
		0° (ref)		0 (ref)			
		± 20°		-3			
		± 28°		-6			
		± 90°		-15			
Effective Light (cd)	177, 130, 100, 75, 45, 15 (See Figure above for candela selection)						
Operating Temperature	0° C to 49° C (32° F to 120° F)						
Operating Humidity	0 to 93% RH						
Horn Pattern	Temporal 3						
Strobe Pattern	1 flash per second						
Wire Size	12 to 18 AWG						
Location	Indoor wall/ceiling						
Compatible Model	FW105/FW106/ FW106C FACP						

CATALOG NUMBER TO ORDER

Model	Description
FW963AGW	Addressable Multi-Candela Horn/Strobe, White
FW963AGR	Addressable Multi-Candela Horn/Strobe, Red
FW973AGW	Addressable Horn, White
FW973AGR	Addressable Horn, Red
FW983AGW	Addressable Multi-Candela Strobe, White
FW983AGR	Addressable Multi-Candela Strobe, Red
FW900W	Notification Appliance base 5.51 in. (140mm), White
FW900R	Notification Appliance base 5.51 in. (140mm), Red
FW901W	Notification Appliance base 6.10 in. (155mm), White
FW901R	Notification Appliance base 6.10 in. (155mm), Red